



# LOW VOLTAGE PRODUCTS

Professional Manufacturer of  
Electrification Intelligent Products

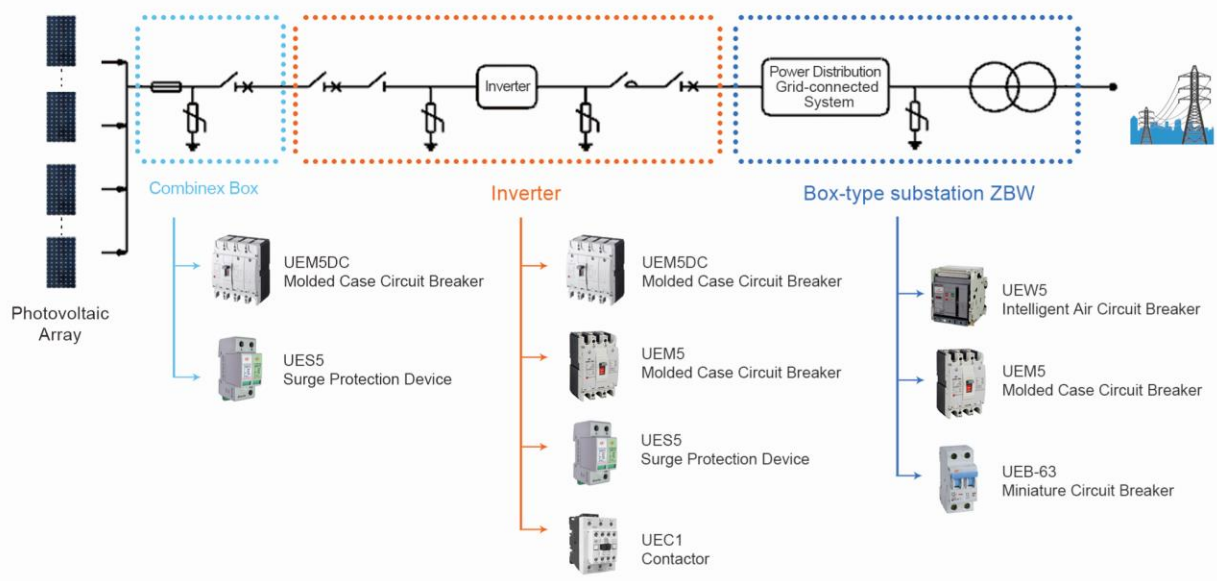


6028 State Farm Drive, Rohnert Park, CA 94928  
Tel: +1.888.513.1874 Fax: +1.707.665.5966  
Email: [techinfo@kgtechnologies.net](mailto:techinfo@kgtechnologies.net)  
[www.kgtechnologies.net](http://www.kgtechnologies.net)

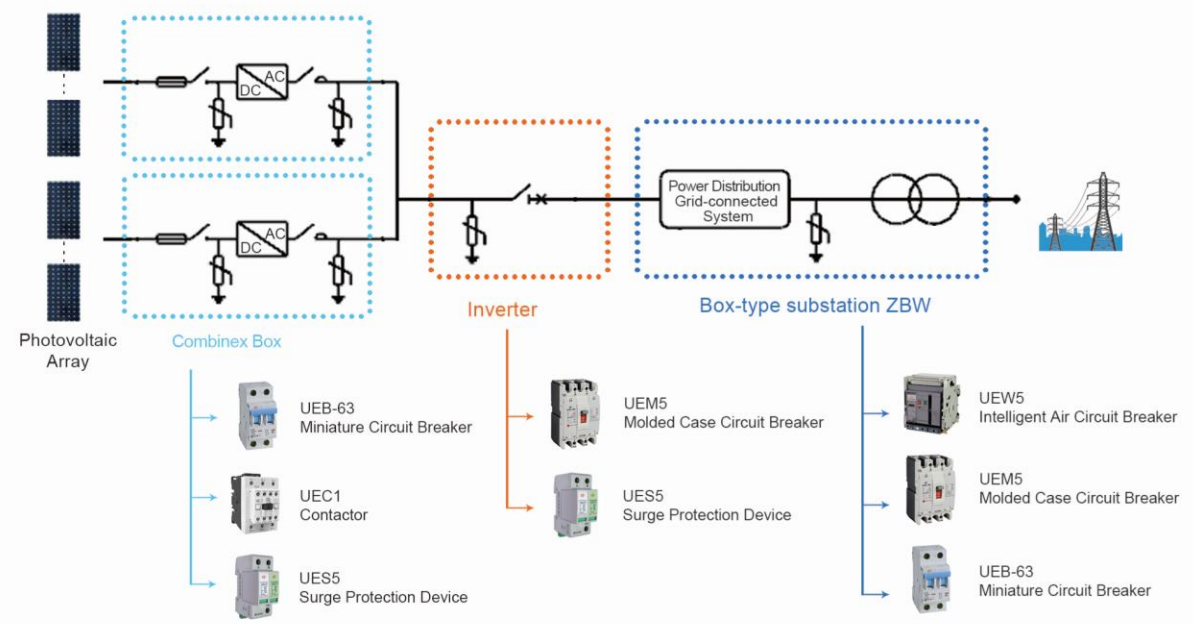


Scan here for more  
information

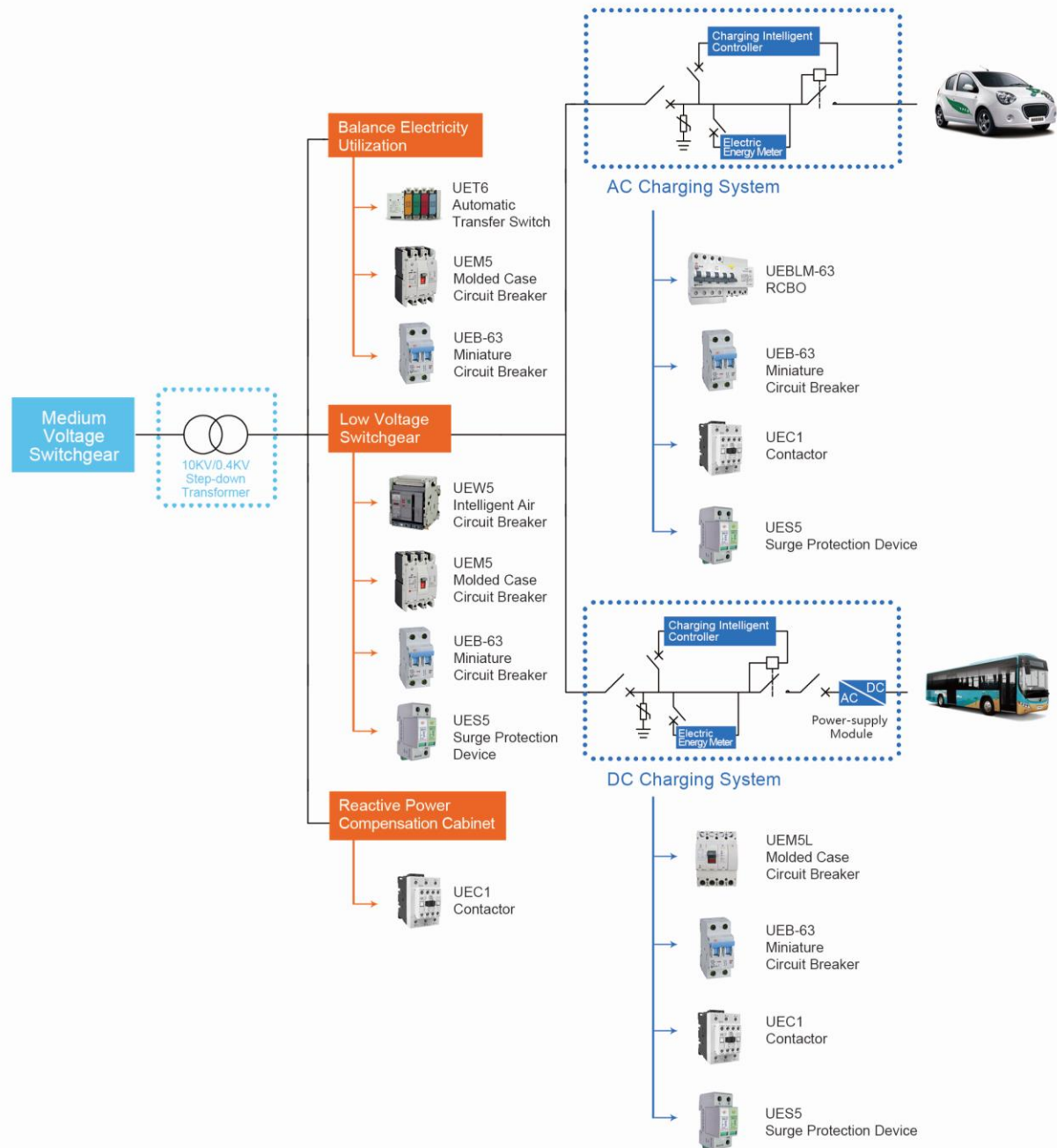
**03** Centralized Type Photovoltaic System Solutions



**04** String Type Photovoltaic System Solutions

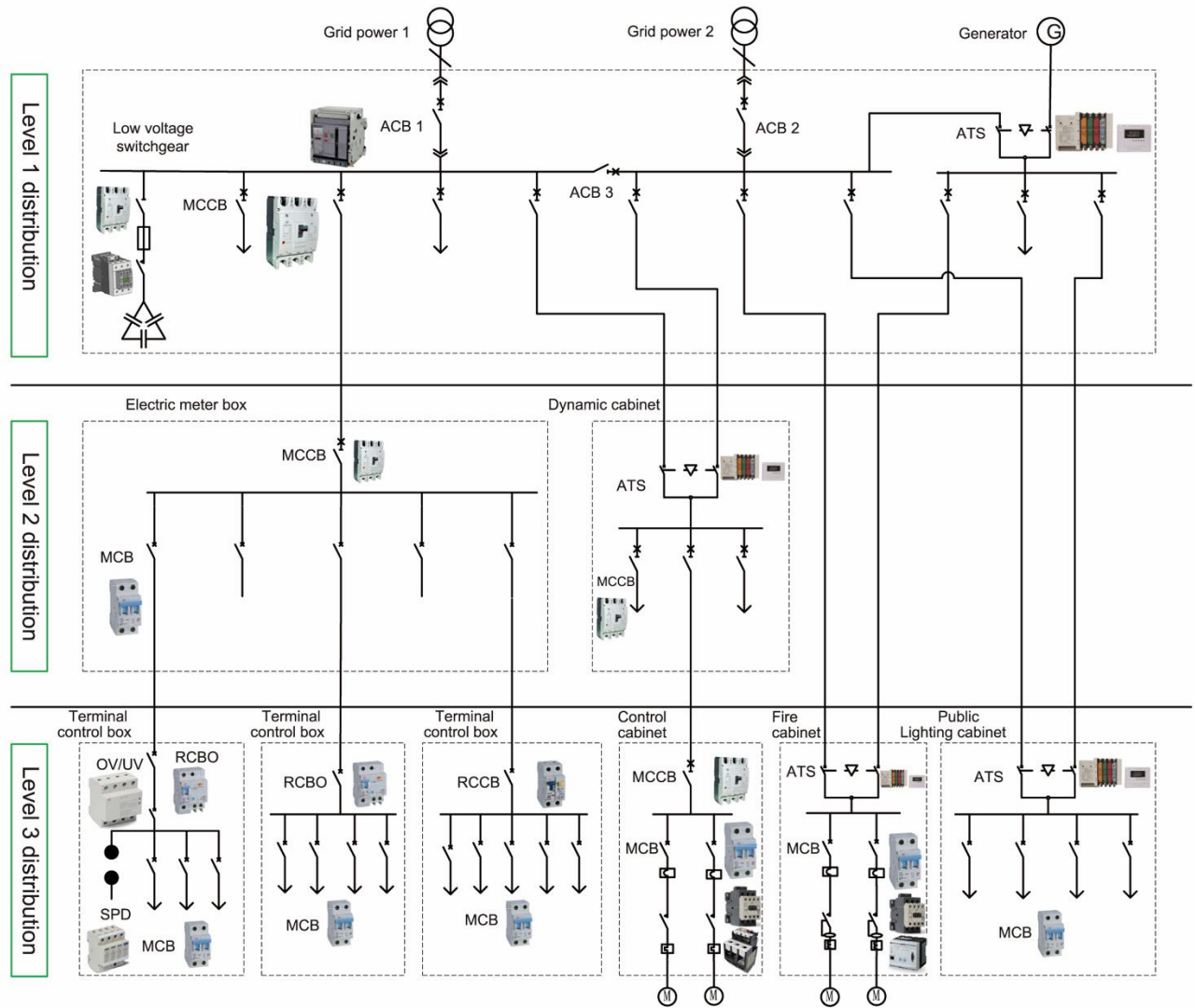


**02** The Centralized Charging Station Distribution System Solutions



# Typical Solutions

## Power Distribution System Solution



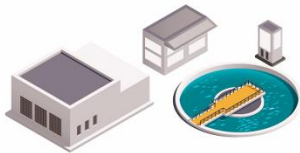
# Electric Power Management



## Power Generation



- Solution for photovoltaic power system



- Solution for thermal power system



- Solution for hydropower system

### Main Products



- UEW5 series ACB



- UEM5 series MCCB



- UEB series MCB

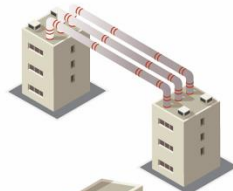
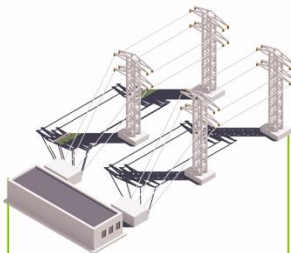


- UEC1 series contactor



- High and low voltage switchgear

## Power Transmission



### Main Products



- Medium voltage circuit breaker



- Medium voltage switchgear

## Power Distribution



- Power distribution solutions for buildings
- Power distribution solutions for data centers
- Power distribution solutions for motor control and protection
- Power distribution solutions for charging poles
- Power distribution solutions for intelligent power distribution boxes within power grids

### Main Products

- UEW5 series ACB

- UEB series MCB

- UEM5 series MCCB

- UEC1 series contactor



- UET6 series ATS



- UED series motor protector



- Low voltage switchgear



- UEZ1 series intelligent MCB

## UEW5 series

ACB-Air Circuit Breaker



- Current range: 200-6300A
- Frame rating: 1600, 2000, 3200, 4000, 6300
- Number of poles: 3P,4P
- Installation mode: fixed and withdrawal type
- Breaking capacity (Icu): up to 120 kA
- Having complete range of accessories
- Standard: IEC/EN 60947-2

## UEM5, UEM5L, UEM5Z1 series

MCCB-Molded Case Circuit Breaker



- Current Range: 10 to 800A (up to 1600A for electronic type UEM5Z1)
- Frame Rating: 100, 250, 400, 630 & 800A (1600A for electronic type UEM5Z1)
- Number of poles: 3P,4P
- Equipped with various protection module such as thermal, magnetic, leakage, electronic, etc.
- Breaking capacity (Icu): up to 100 KA
- Equipped with complete range of accessories
- Standard: IEC/EN 60947-2

## UEB series

MCB-Miniature Circuit Breaker



- Current Range: up to 63A
- Number of poles: 1P, 1P+N, 2P, 3P, 4P
- Breaking capacity (Icu): 4.5, 6, 10kA
- Tripping characteristic curve: B, C, D
- Overload protection and short circuit protection breaking time  $\leq$  3ms
- Outstanding current limit characteristic, better than IEC60898 level 3
- The automatic inspection line is able to run full test items of the MCB
- Standard: EN 60947-2, IEC/EN 60898-1

## UEBLM-63, UELM-100

RCBO and RCCB-Residual Current Breakers



- Current range: up to 63A (RCBO) / up to 63A (RCCB)
- Number of poles: 1P+N/3P+N(RCBO) / 2P,4P(RCCB)
- Short circuit breaking capacity (Icn): 6 kA(RCBO) / Rated Conditional Short-circuit Current(Inc):6kA(RCCB)
- Residual operating current:30, 100,300 mA
- Operation voltage range: AC230V (1P+N), AC230/400V (3P+N)
- Residual current type: AC (RCBO) /A,AC (RCCB)
- Standard: IEC/EN 61008-1(RCCB) / IEC/EN 61009-1(RCBO)

## UET6 series

ATS-Automatic Transfer switch



- Current Range: 16~2500A
- Rated Operation voltage : AC400V
- Frame Rating: 63,125, 250, 500, 800,1250,2500
- Utilization Category:AC-33B
- Rapid switching: the electromagnetic mechanism is reliable and rapid ( $< 0.2s$ ) in switching, and the switching delayed time can be set
- Reliable mechanical interlocking: adopts special exocentric construction that ensures only one power supply is conducted, avoiding the conduction of two power supplies at the same time
- Automatic switching function, while manual switching function can be adopted in emergency situations
- With grid-grid and grid-generator power type
- Applications: fire-fighting equipment,post and telecommunication station,hospitals, Hotels, high-rise buildings,industrial production lines,TV station and etc
- Standard: IEC 60947-6-1,GB/T 14048.11



## UEG5 series

Disconnecter



- Current Range: 63~1600A
- Number of poles:3P, 4P
- Rated short-time withstand current ( $I_{cw}$ ): 10, 20, 35kA
- Operation Voltage: AC400
- Status Indicator to show the state of interruption
- Two sets of auxiliary contacts can be assembled to indicate the state of switch
- During outside operation, the handle in the split position "O" can be locked with a padlock to prevent the mis-operation
- Standard: IEC 60947-3

## UES5 series

SPD-Surge Protective Devices

Launch date: first quarter of Y2019



- Class test: Class I test (T1) and Class II test(T2)
- Number of poles: 1P, 1P+NPE(Only T2), 2P, 3P,3P+NPE(Only T2), 4P
- Maximum continuous operating voltage: 385V(T1),275V,385V,420V(T2)
- Impulse current  $I_{imp}(10/350\mu s)$ : 12.5kA 25kA(T1)
- Nominal discharge current  $I_n(8/20\mu s)$ : 10~30kA(T2) 12.5kA 25kA(T1)
- Maximum discharge current  $I_{max}(8/20\mu s)$ : 20~60kA (T2)
- Voltage protection level  $U_p$ :  $\leq 2kV(T2)$   $\leq 1kV(T2 NPE)$   $\leq 2.5kV(T1)$
- Temporary overvoltage features  $-U_{TOV}$  :  
L-N 395V/5sec, L-PE1453V/200ms(T1)  
L-N 400V/5sec, L-PE 1430V/200ms, N-PE 1200V/200ms(T2)
- Standard: IEC 61643-1,GB/T 18802.1

## UEZ1 series

Intelligent Comprehensive Protector



UEZ1-63 series intelligent comprehensive protector can carry out high-precision measurement, remote communication and control and real-time line monitoring. It can be widely used in smart home, smart grid, energy efficiency system management and other fields

- Current range: up to 63A
- Number of poles: 1P+N, 3P+N
- Breaking capacity (Icu): 6kA
- Tripping characteristic curve: B, C
- Operation voltage: AC230V (1P+N), AC400V (3P+N)
- Measuring accuracy: 0.5 level
- Communication Mode: RS485, WiFi
- Diversified way of line protection
- Standard: IEC/ EN 61009-1, EN 60947-2

## UEY1-80 series

OUPA-Overvoltage or undervoltage protective device with auto-reclosing function



UEY1-80 series overvoltage or undervoltage protective device with auto-reclosing function can be used as over/under voltage protection for power supply equipment from neutral line fault. It is mainly used for the protection of distribution lines in residential residential boxes or the protection of power supply equipment.

- Rated Current: 16~80A
- Undervoltage cut off value: < 160VAC(Phase voltage)
- Overvoltage cut off value : >275VAC(Phase voltage)
- Withstand impulse voltage: 4kV
- The protective device shows the inverse time operating characteristics
- No maloperation when there is instantaneous or transient overvoltage on circuit
- With modularization design on appearance and guide-rail type installation method

## UED5 series Motor Protector

Launch date: first quarter of Y2019



- Rated Current: 1A~400A
- Frame Rating: 6.3,25, 50, 100, 160,320,400
- Protection: Provide comprehensive motor protection and suitable for various motor starting modes
- Data: detailed operation, maintenance, and diagnostic data
- Communication: Adopt Modbus standard communication protocol specification  
High reliability and strong interference immunity
- Hazardous areas (chemical, petroleum and natural gas industries)
- Heavy load starting (papermaking, cement and metallurgical industry)
- High availability plant (chemical, petroleum, raw material processing industry, power plant)
- Standard: IEC/EN 60947-4-1

## UEC1 series, XMC3 series

Contactors



- Current range: 9A~170A (UEC1 series), 185A~630A (XMC3 series)
- Rated insulation voltage: 690V
- Coil voltage: 24VAC~415VAC 50/60Hz (UEC1) : 110VAC, 220VAC, 380VAC 50Hz (XMC3 series)
- Accessories: CA1R ( 2P and 4P ) series top mounting auxiliary contact block (for UEC1 series), CA1S series side mounting auxiliary contact block(for UEC1 series), UER1 series thermal overload relay, etc
- Standard: IEC/EN 60947-4-1