

## 100A POWER LATCHING RELAY

- » 3mm contact gap
- » UL Approval file number E178562  
*UL approval with microswitch installed (not included)*
- » Outline dimensions:  
(60.0 x 40.0 x 21.0)mm
- » RoHS compliant



### Contact Data [Click here for glossary of terms](#)

Rated Load	100A 277Vac / 28Vdc
Contact form	1A or 1B
Contact material	AgSnO <sub>2</sub>
Max. switching voltage	440Vac
Max. switching current	100A
Max. switching power:	
27,700VA (AC switching)	
2,800W (DC switching)	
Electrical endurance	10,000 cycles
Mechanical endurance	100,000 cycles

### Characteristics [Click here for glossary of terms](#)

Insulation resistance	1,000 MΩ (at 500Vdc)
Dielectric strength:	
Coil to contact	4,000 Vac for 1 min.
Across open contacts	2,000 Vac for 1 min.
Dielectric creepage	≥8mm
Operating temperature	-40 to +70°C
Ambient humidity	98% RH, +40°C
Vibration	1.5mm (DA), 10 to 55 Hz
Shock resistance:	
Functional*	30G
Destructive	100G
Termination	PCB

\* Unit may change state but is still functional.

### Coil Data [Click here for glossary of terms](#)

	Single Coil (Latching)	Dual Coil (Latching)
<b>Coil Consumption</b>	2.4W	4.8W
<b>Pulse Duration</b>	Min. 50ms, 100ms to 200ms recommended	Min. 50ms, 100ms to 200ms recommended

Nominal Coil Voltage	Min. Operating Voltage	Max. Operating Voltage	Coil Resistance (Ω± 10%) at 23°C	
			Single Coil (Latching)	Dual Coil (Latching)
6Vdc	4.8Vdc	7.2Vdc	16Ω	2 x 8Ω
12Vdc	9.6Vdc	14.4Vdc	60Ω	2 x 30Ω
24Vdc	19.2Vdc	28.8Vdc	250Ω	2 x 125Ω
48Vdc	38.4Vdc	57.6Vdc	1000Ω	2 x 500Ω

## Ordering Information

<b>Relay Series:</b>	K105	A	-D	012	Q	P	-	1A	T
<b>Terminal Type:</b>	A: See drawings <sup>1</sup> X: Custom design <sup>2</sup>								
<b>Coil Type:</b>	S: Single coil D: Double coil								
<b>Coil Voltage<sup>3</sup>:</b>	6, 12, 24, 48 Vdc								
<b>Coil Terminal Type:</b>	Q: Quick connect R: PCB terminals								
<b>Coil Polarity:</b>	P = Positive N = Negative								
<b>Contact Form:</b>	1A: Form 1A – NO 1B: Form 1B – NC								
<b>Contact Material:</b>	T: AgSnO <sub>2</sub>								

<sup>1</sup> Other standard terminal type drawings available upon request.

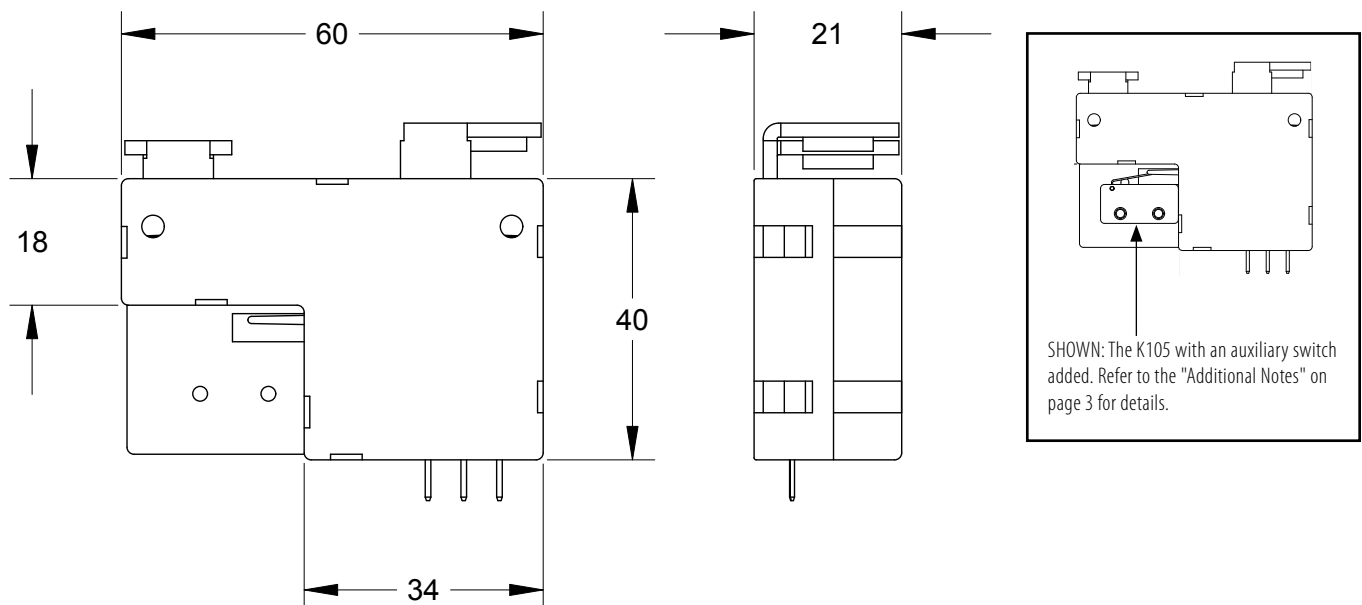
<sup>2</sup> For custom designs, please contact KG Technologies. Integrated shunts, flex-wire, copper extensions and brass terminals available.

<sup>3</sup> Coil voltage should be indicated in three digit format (6Vdc = 006)

## Dimensional Drawings

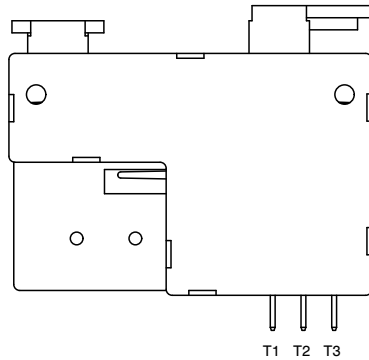
All dimensions in mm unless otherwise noted. For more information, please contact KG Technologies.

### A-Style Terminals

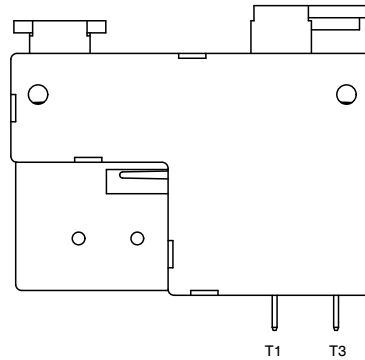


## Wiring Diagrams

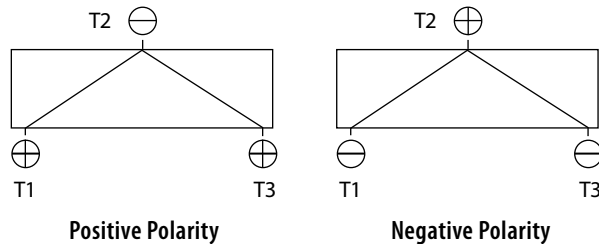
### Dual Coil



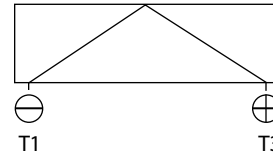
### Single Coil



### Dual Coil Connection



### Single Coil Connection



## Application Notes

**Dual Coil – Positive Polarity:** Place a negative connection on T2. Then apply a 50ms positive pulse to T1 to open the contacts or to T3 to close the contacts.

**Dual Coil – Negative Polarity:** Place a positive connection on T2. Then apply a 50ms negative pulse to T3 to open the contacts or to T1 to close the contacts.

**Single Coil:** Place a negative connection on T1. Then apply a 50ms positive pulse to T3 to close the contacts. Reversing polarity will open the contacts.

## Additional Application Notes

**1:** It is possible that during transit or final assembly the relay could change its state. Therefore, it is recommended that all relays be set to the desired state via a power supply.

**2:** In order to maintain an “Open” or “Closed” state of the relay, the coil voltage should reach the rated voltage. The pulse width should be 50ms minimum to ensure a proper change of state. DO NOT energize both T1 and T3 at the same time on a Dual Coil or energize the coil for longer than 1 minute (damage to the coil could incur).

**3:** Relays without flex-wire cannot be tin-soldered. Moving or bending the terminals could cause damage to the internal structure of the relay.

**4:** To obtain instructions on how to assemble an auxiliary switch onto this product, please visit [www.kgtechnologies.net](http://www.kgtechnologies.net) or speak to one of our representatives.

**5:** For definitions of terms used in this data sheet, see glossary at [www.kgtechnologies.net](http://www.kgtechnologies.net).

**Disclaimer:** This data sheet is for reference only. All specifications are subject to change without prior notice. KG Technologies, Inc. cannot predict every possible application for our relays. While we do our best to make our relays as versatile as possible, we highly recommend contacting our engineering team if you have any questions. KG Technologies, Inc. is not responsible for malfunctioning relays when operated outside the specified parameters given in this data sheet.